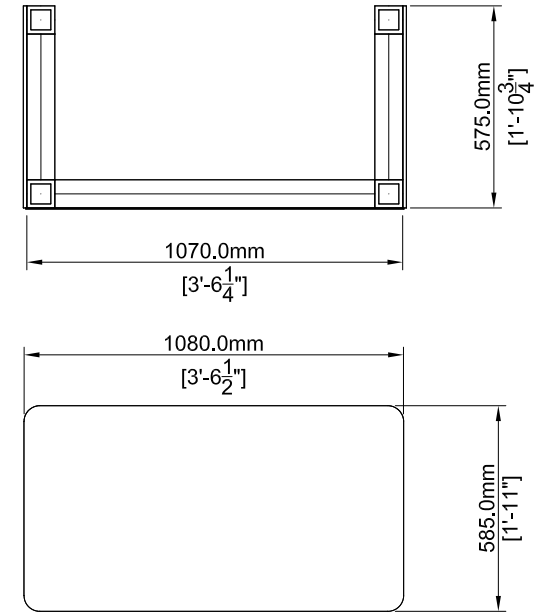
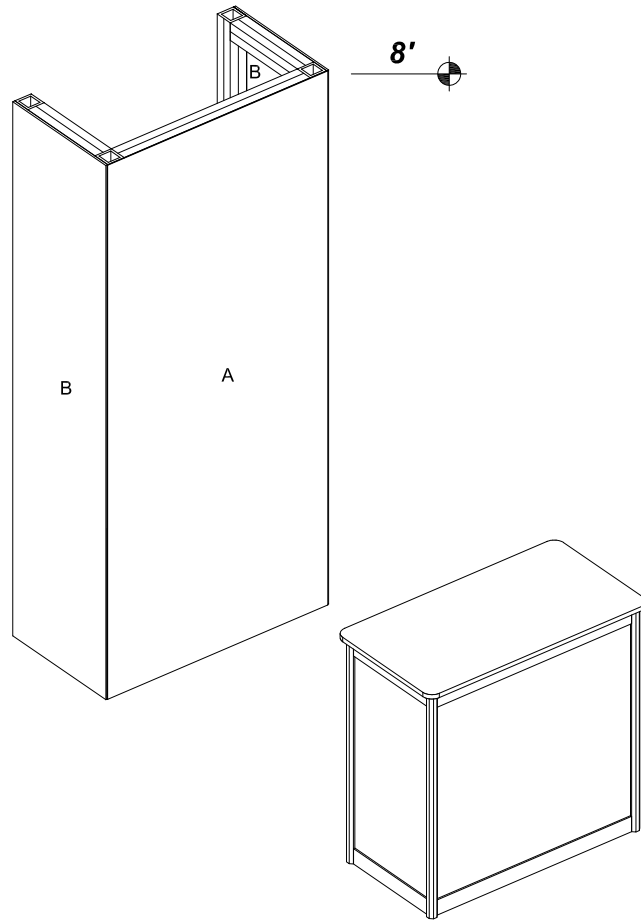


# ISOMETRIC VIEW

# PLAN VIEW



ART PANELS

#	Qty	Part Number	Color-A	Art	Length	Height	Material	Note
A	1	1076-2440	white	S	42 3/8 [1076]	96 1/16 [2440]	trovicel	art
B	2	575-2440	white	S	22 5/8 [575]	96 1/16 [2440]	trovicel	art



**Drawing Name:** A01\_3-sided 1M Overlay Unit

**Show Name:** Biz.ONE

**Show Code:** C150761017

**Date:** 4/25/2017 **Rev. Date:** 4/27/2017

**Designer:** BD

**Account Exec:** OS

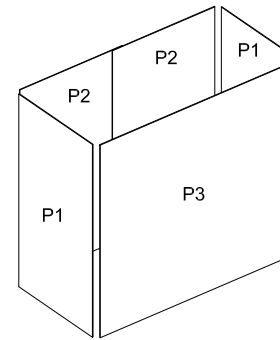
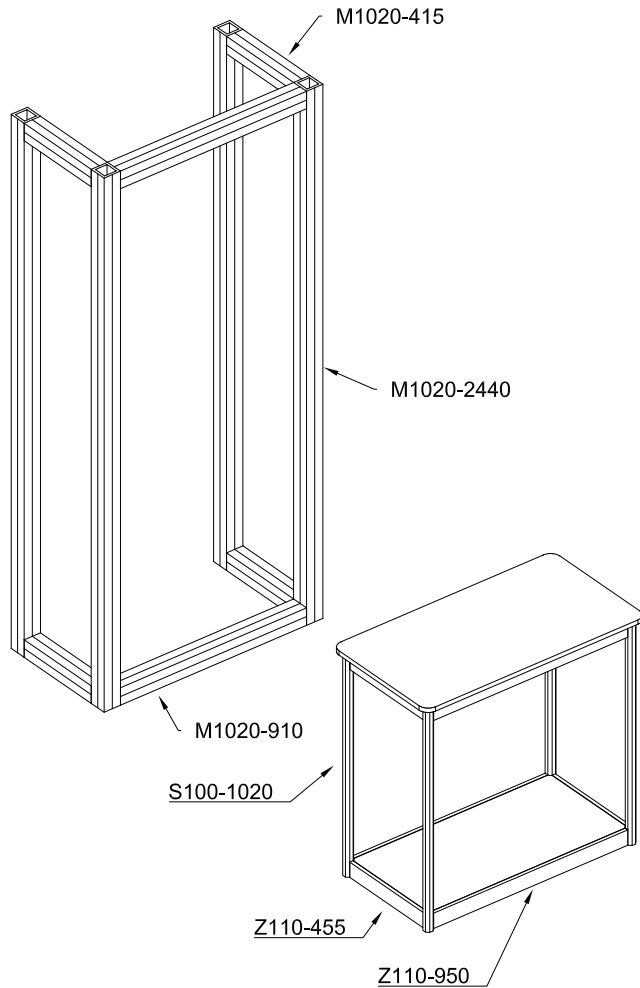
Shepard Exposition Services

1531 Carroll Dr NW • Atlanta, GA 30318 • tel: 404.720.8600 • fax: 404.720. 8750

[www.shepardes.com](http://www.shepardes.com)

# METAL VIEW AND COUNTERTOPS

# NON ART PANELS



## LEGEND

### METAL

#	Qty	Part Number	Color	Length	Description	Note
M1	4	Z110-950	silver	37 3/8 [950]	950mm crosspiece	
M2	4	Z110-455	silver	17 15/16 [455]	455mm crosspiece	
M3	4	S100-1020	silver	40 3/16 [1020]	1020mm upright	
M4	2	M1020-910	silver	35 13/16 [910]	square extrusion 80 mm	
M5	4	M1020-415	silver	16 5/16 [415]	square extrusion 80 mm	
M6	4	M1020-2440	silver	96 1/16 [2440]	square extrusion 80 mm	

### NON ART PANELS

#	Qty	Part Number	Color-A	Length	Height	Material
P1	2	C-898	black	18 5/8 [473]	35 3/8 [898]	trovicel
P2	2	E-880SL	black	19 11/16 [500]	34 7/16 [874]	trovicel
P3	1	E-898	white	38 1/8 [968]	35 3/8 [898]	trovicel

### ART PANELS

#	Qty	Part Number	Color-A	Art	Length	Height	Material	Note
A	1	1076-2440	white	S	42 3/8 [1076]	96 1/16 [2440]	trovicel	art
B	2	575-2440	white	S	22 5/8 [575]	96 1/16 [2440]	trovicel	art

### ACCESSORIES

#	Qty	Part Number	Type	Clr/Mtrl	Catalog#	Description
A1	2	E400-SB	glazing	grey	E400	door track
A2	2	E410K-SB	glazing	grey	E410/K	dr handle
A3	4	E205	t-bolt	octnrm	E205	t-bolt
A4	1	VELCRO_TAPE_SB	velcrotape	white	SES	velcrotape

### COUNTERTOPS

#	Qty	Part Number	Clr/Mtrl	Width	Length	Note
CT1	1	02CE-OCT	white	18 3/4 [477]	38 1/4 [972]	
CT2	1	02CE00CT	white	23 1/16 [585]	42 1/2 [1080]	



Drawing Name: A01\_3-sided 1M Overlay Unit

Show Name: Biz.ONE

Show Code: C150761017

Date: 4/25/2017 Rev. Date: 4/27/2017

Designer: BD

Account Exec: OS

Shepard Exposition Services

1531 Carroll Dr NW • Atlanta, GA 30318 • tel: 404.720.8600 • fax: 404.720. 8750

[www.shepardes.com](http://www.shepardes.com)