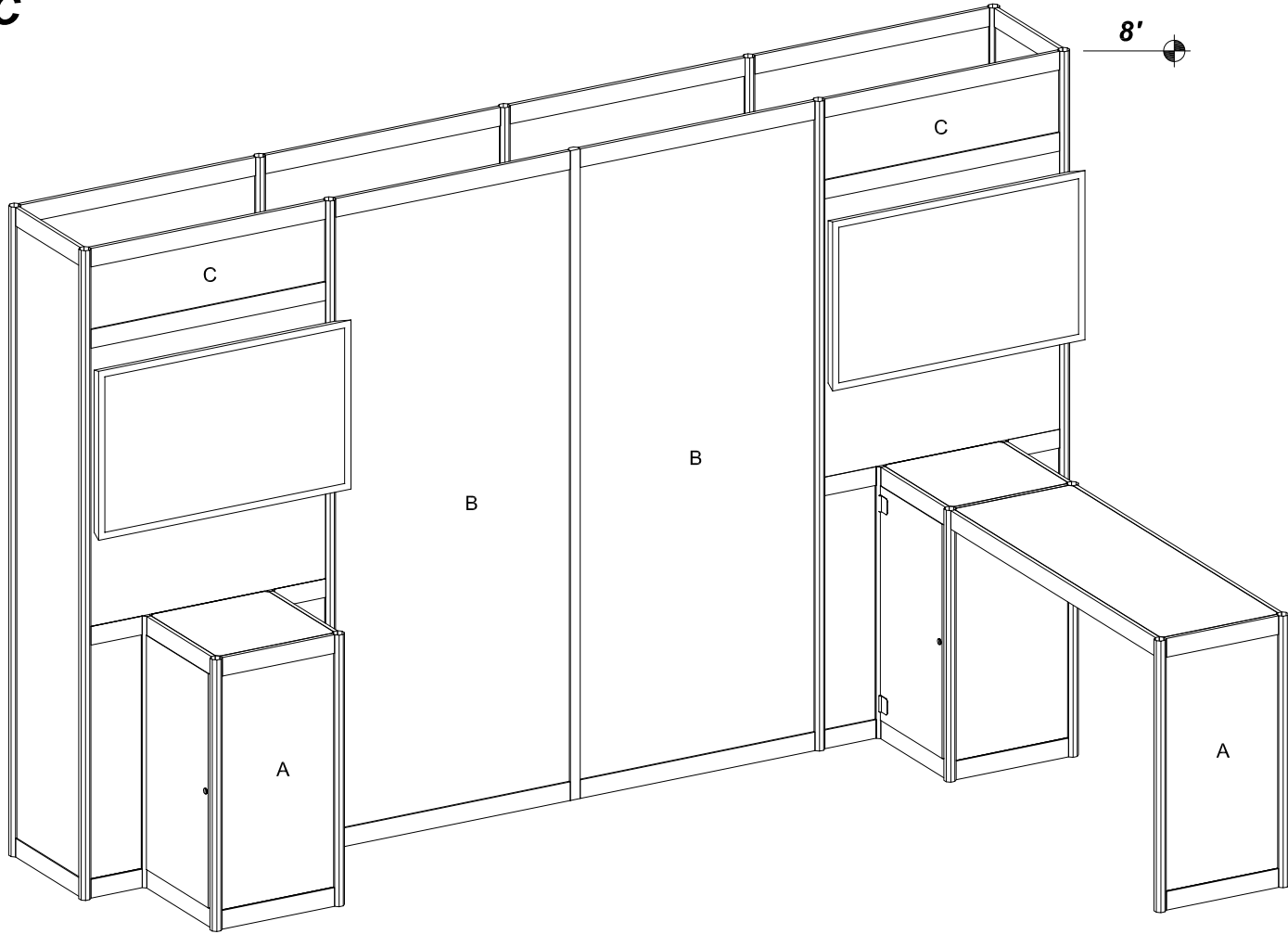


# ISOMETRIC



ART PANELS

#	Qty	Part Number	Color-A	Art	Length	Height	Material	Note
A	2	C-898	white	S	18 5/8 [473]	35 3/8 [898]	trovicel	art
B	2	E-2318	white	S	38 1/8 [968]	91 1/4 [2318]	trovicel	art
C	2	E-253	white	S	38 1/8 [968]	9 15/16 [253]	trovicel	art



**Drawing Name:** A07\_Double Kiosk 1 Counter\_R2

**Show Name:** ASUG BI + Analytics Conference

**Show Code:** T176931016

**Date:** 10/3/2016 **Rev. Date:** 10/3/2016

**Designer:** B. Webb

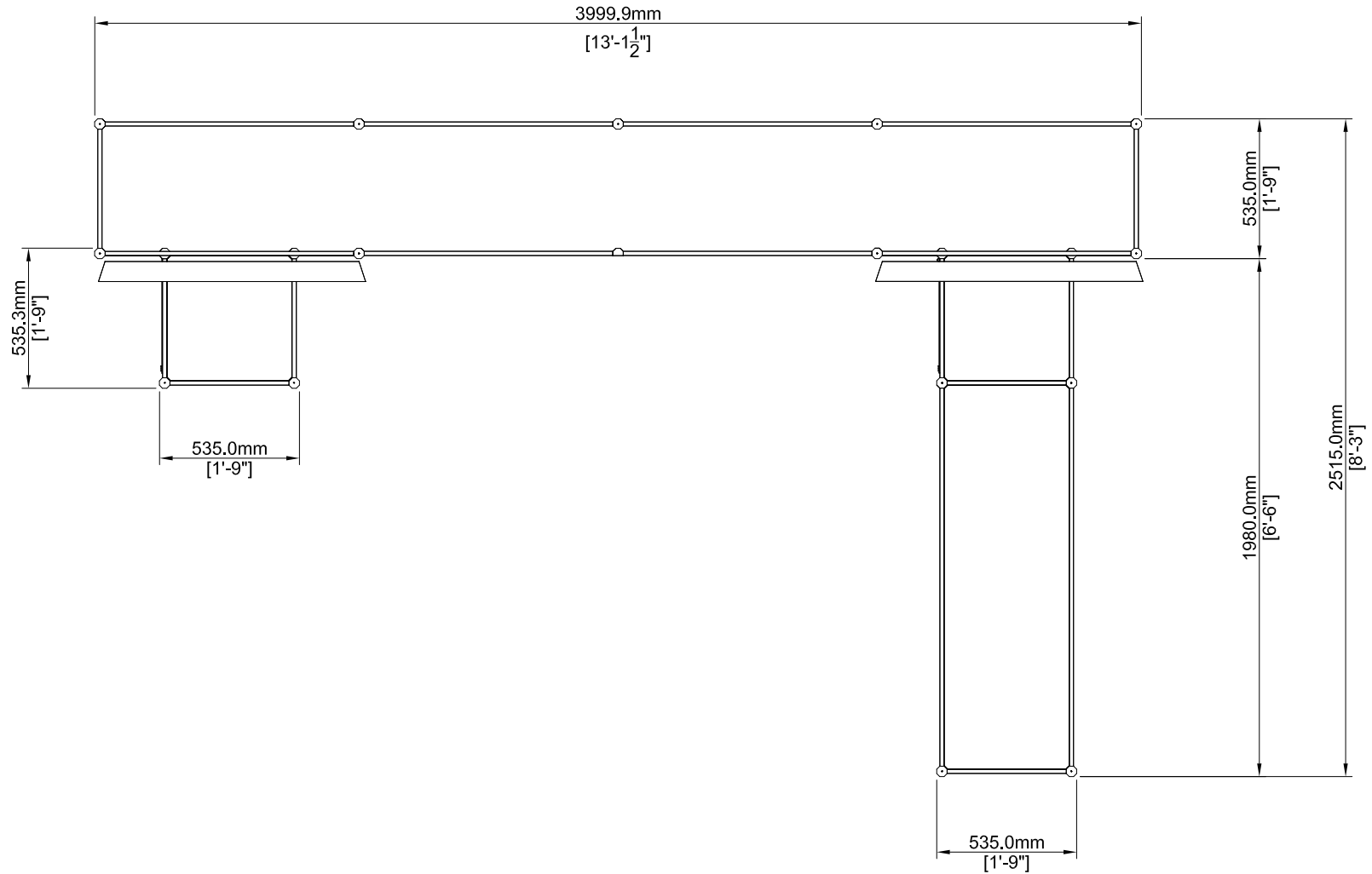
**Account Exec:** DG

Shepard Exposition Services

1531 Carroll Dr NW • Atlanta, GA 30318 • tel: 404.720.8600 • fax: 404.720. 8750

[www.shepardes.com](http://www.shepardes.com)

# PLAN VIEW



**Scale: 1:25**



**Drawing Name:** A07\_Double Kiosk 1 Counter\_R2

**Show Name:** ASUG BI + Analytics Conference

**Show Code:** T176931016

**Date:** 10/3/2016 **Rev. Date:** 10/3/2016

**Designer:** B. Webb

**Account Exec:** DG

1531 Carroll Dr NW • Atlanta, GA 30318 • tel: 404.720.8600 • fax: 404.720. 8750

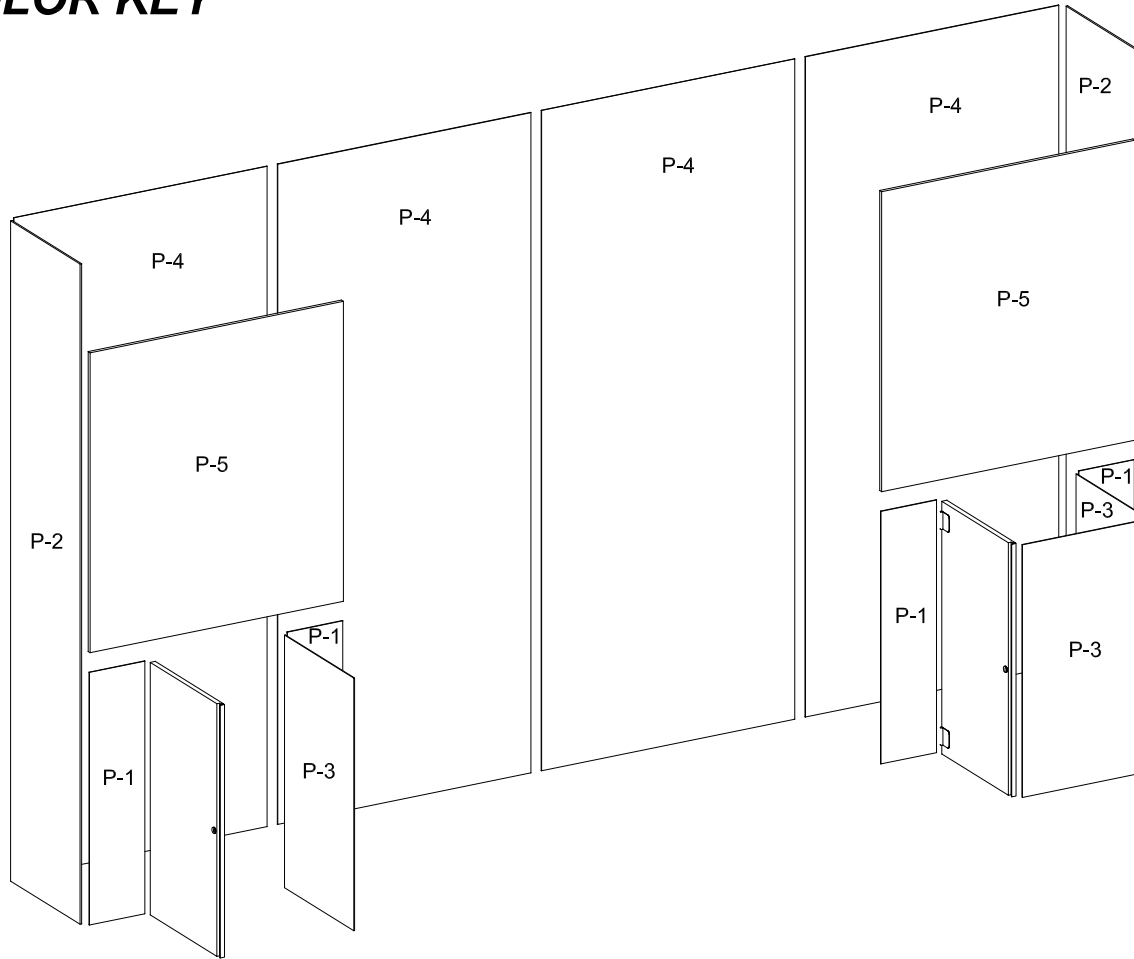
Shepard Exposition Services

[www.shepardes.com](http://www.shepardes.com)

# PANEL COLOR KEY

## Color Key

- PANEL:
- PLEXI:
- GRAPHICS:



PANELS

#	Qty	Part Number	Color-A	Length	Height	Material	Note
P-1	4	A-898	white	8 7/8 [225]	35 3/8 [898]	trovicel	
P-2	2	C-2318	white	18 5/8 [473]	91 1/4 [2318]	trovicel	
P-3	3	C-898	white	18 5/8 [473]	35 3/8 [898]	trovicel	
P-4	4	E-2318	white	38 1/8 [968]	91 1/4 [2318]	trovicel	
P-5	2	PNL_950-1045-13	white	37 3/8 [950]	41 1/8 [1045]	melamin-13	biscuits



**Drawing Name:** A07\_Double Kiosk 1 Counter\_R2

**Show Name:** ASUG BI + Analytics Conference

**Show Code:** T176931016

**Date:** 10/3/2016 **Rev. Date:** 10/3/2016

**Designer:** B. Webb

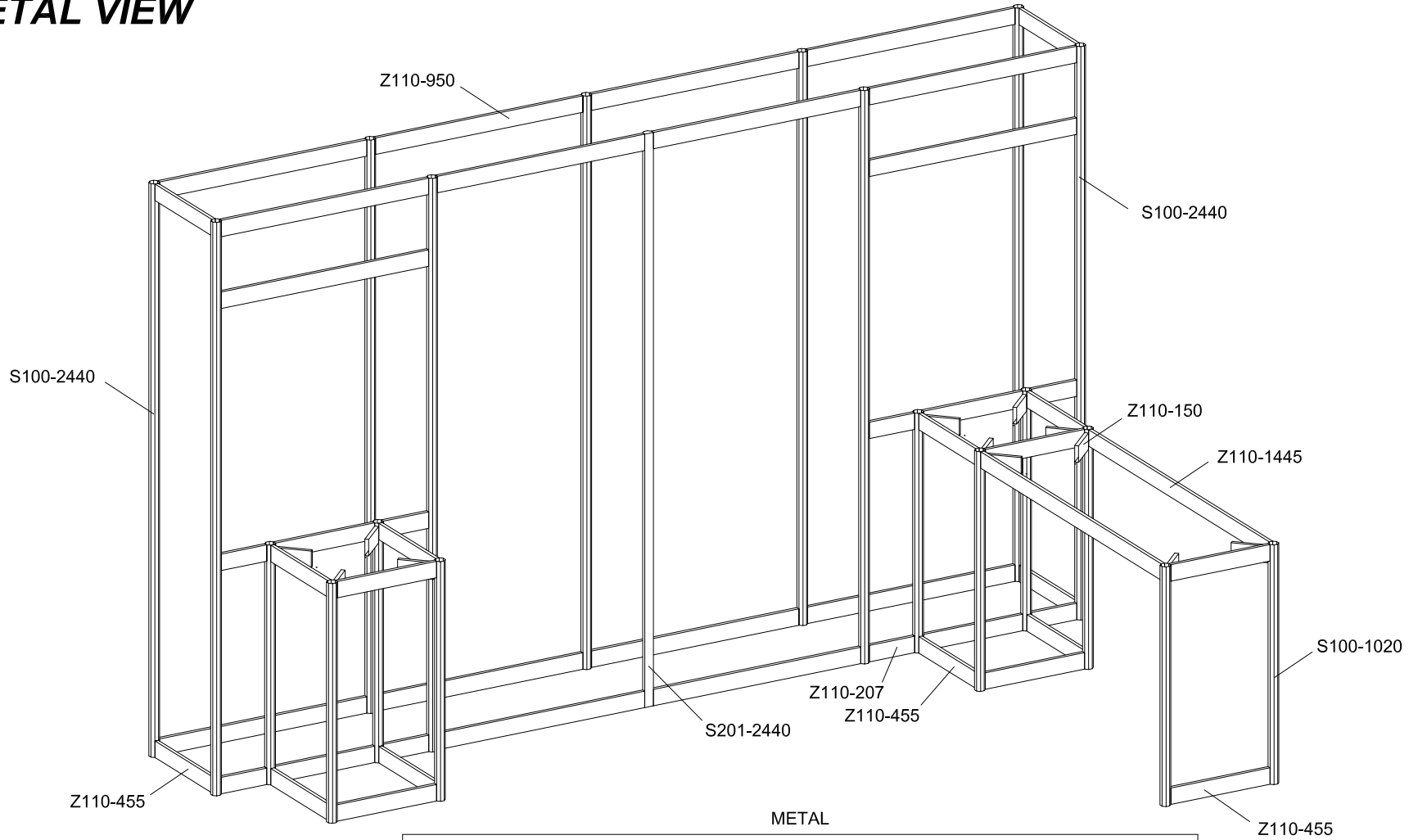
**Account Exec:** DG

Shepard Exposition Services

1531 Carroll Dr NW • Atlanta, GA 30318 • tel: 404.720.8600 • fax: 404.720. 8750

[www.shepardes.com](http://www.shepardes.com)

# METAL VIEW



METAL

#	Qty	Part Number	Color	Length	Code	Type	Note
M-1	16	Z110-950	silver	37 3/8 [950]	X	octanorm	
M-2	22	Z110-455	silver	17 15/16 [455]	X	octanorm	
M-3	8	Z110-207	silver	8 1/8 [207]	X	octanorm	
M-4	12	Z110-150	silver	5 7/8 [150]	X	octanorm	
M-5	2	Z110-1445	silver	56 7/8 [1445]	X	octanorm	
M-6	1	S201-2440	silver	96 1/16 [2440]	U	octanorm	
M-7	9	S100-2440	silver	96 1/16 [2440]	U	octanorm	
M-8	4	S100-1020	silver	40 3/16 [1020]	U	octanorm	notch
M-9	6	S100-1020	silver	40 3/16 [1020]	U	octanorm	cap



Drawing Name: A07\_Double Kiosk 1 Counter\_R2

Show Name: ASUG BI + Analytics Conference

Show Code: T176931016

Date: 10/3/2016 Rev. Date: 10/3/2016

Designer: B. Webb

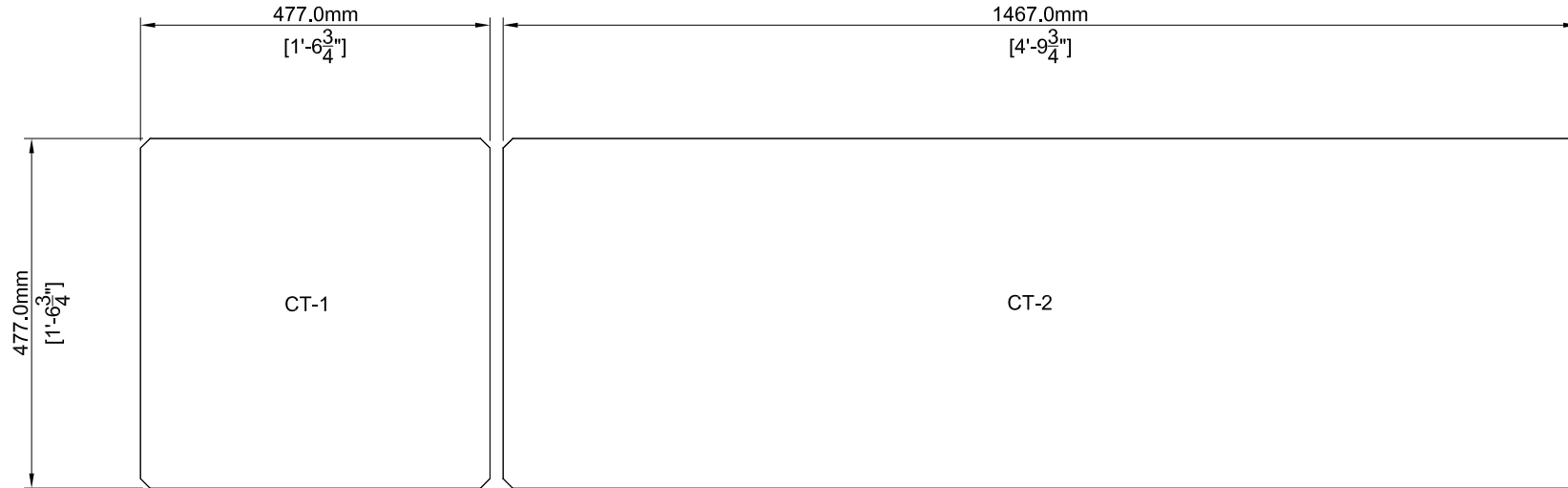
Account Exec: DG

1531 Carroll Dr NW • Atlanta, GA 30318 • tel: 404.720.8600 • fax: 404.720. 8750

Shepard Exposition Services

[www.shepardes.com](http://www.shepardes.com)

# CTOPS & SHELVES



CTOPS & SHELVES

#	Qty	Part Number	Clr/Mtrl	Width	Length	Description	Note
CT-1	2	02CC-OCT	white	18 3/4 [477]	18 3/4 [477]	countertop	
CT-2	1	02CG-OCT	white	57 3/4 [1467]	18 3/4 [477]	countertop	



Drawing Name: A07\_Double Kiosk 1 Counter\_R2

Show Name: ASUG BI + Analytics Conference

Show Code: T176931016

Date: 10/3/2016 Rev. Date: 10/3/2016

Shepard Exposition Services

Designer: B. Webb

Account Exec: DG

1531 Carroll Dr NW • Atlanta, GA 30318 • tel: 404.720.8600 • fax: 404.720. 8750

[www.shepardes.com](http://www.shepardes.com)

**LEGEND**

## ART PANELS

#	Qty	Part Number	Color-A	Art	Length	Height	Material	Note
A	2	C-898	white	S	18 5/8 [473]	35 3/8 [898]	trovicel	art
B	2	E-2318	white	S	38 1/8 [968]	91 1/4 [2318]	trovicel	art
C	2	E-253	white	S	38 1/8 [968]	9 15/16 [253]	trovicel	art

## PANELS

#	Qty	Part Number	Color-A	Length	Height	Material	Note
P-1	4	A-898	white	8 7/8 [225]	35 3/8 [898]	trovicel	
P-2	2	C-2318	white	18 5/8 [473]	91 1/4 [2318]	trovicel	
P-3	3	C-898	white	18 5/8 [473]	35 3/8 [898]	trovicel	
P-4	4	E-2318	white	38 1/8 [968]	91 1/4 [2318]	trovicel	
P-5	2	PNL_950-1045-13	white	37 3/8 [950]	41 1/8 [1045]	melamin-13	biscuits

## METAL

#	Qty	Part Number	Color	Length	Code	Type	Note
M-1	16	Z110-950	silver	37 3/8 [950]	X	octanorm	
M-2	22	Z110-455	silver	17 15/16 [455]	X	octanorm	
M-3	8	Z110-207	silver	8 1/8 [207]	X	octanorm	
M-4	12	Z110-150	silver	5 7/8 [150]	X	octanorm	
M-5	2	Z110-1445	silver	56 7/8 [1445]	X	octanorm	
M-6	1	S201-2440	silver	96 1/16 [2440]	U	octanorm	
M-7	9	S100-2440	silver	96 1/16 [2440]	U	octanorm	
M-8	4	S100-1020	silver	40 3/16 [1020]	U	octanorm	notch
M-9	6	S100-1020	silver	40 3/16 [1020]	U	octanorm	cap

## CTOPS &amp; SHELVES

#	Qty	Part Number	Clr/Mtrl	Width	Length	Description	Note
CT-1	2	02CC-0CT	white	18 3/4 [477]	18 3/4 [477]	countertop	
CT-2	1	02CG-0CT	white	57 3/4 [1467]	18 3/4 [477]	countertop	

## ACCESSORIES

#	Qty	Part Number	Clr/Mtrl	Width	Length	Description	Note
A-1	6	S132	grey			*cap	*Metal Accessory*
A-2	2	E440-SB	grey	1/16 [1]	34 5/8 [880]	door stop	
A-3	2	E290	octnrm			hinge	
A-4	2	E291	octnrm			lock	
A-5	2	C_880SW	white	34 5/8 [880]	17 5/8 [447]	swd door	octnrm hrw
A-6	1	E-CORD	white			ext-cord	25' long
A-7	1	POWERSTRIP	white			powerstrip	
A-8	1	E460-SB	grey	[1]	[2440]	wireway	

Drawing Name: A07\_Double Kiosk 1 Counter\_R2

Show Name: ASUG BI + Analytics Conference

Show Code: T176931016

Date: 10/3/2016 Rev. Date: 10/3/2016

Designer: B. Webb

Account Exec: DG

1531 Carroll Dr NW • Atlanta, GA 30318 • tel: 404.720.8600 • fax: 404.720. 8750

Shepard Exposition Services

[www.shepardes.com](http://www.shepardes.com)