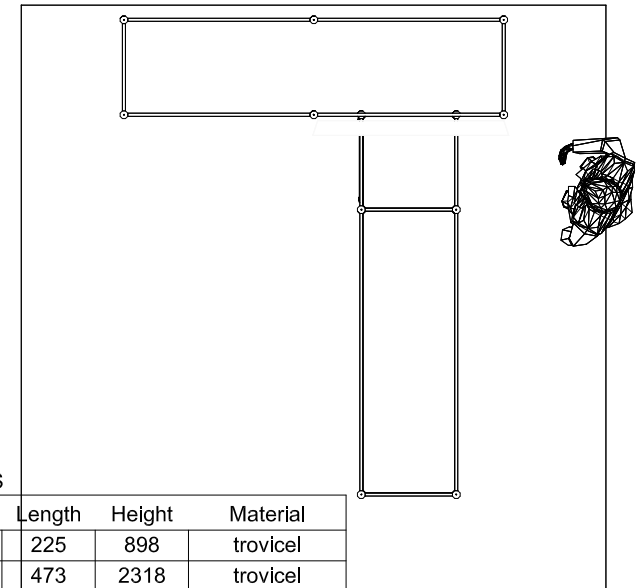
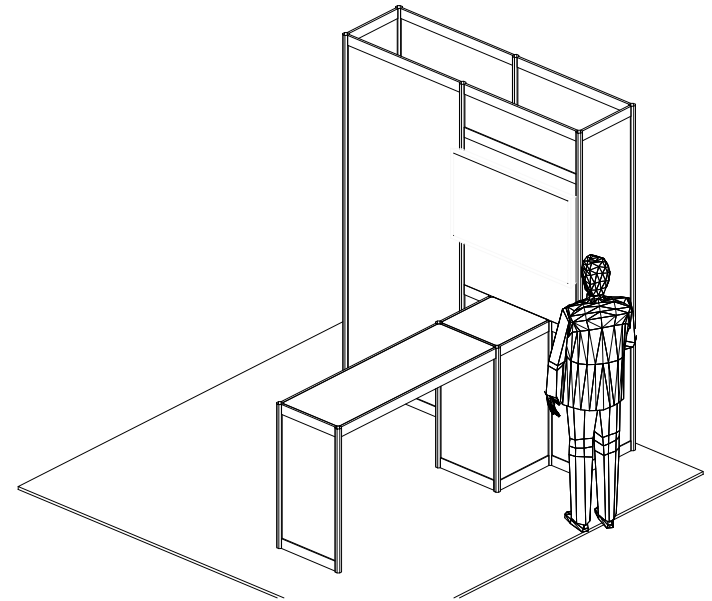
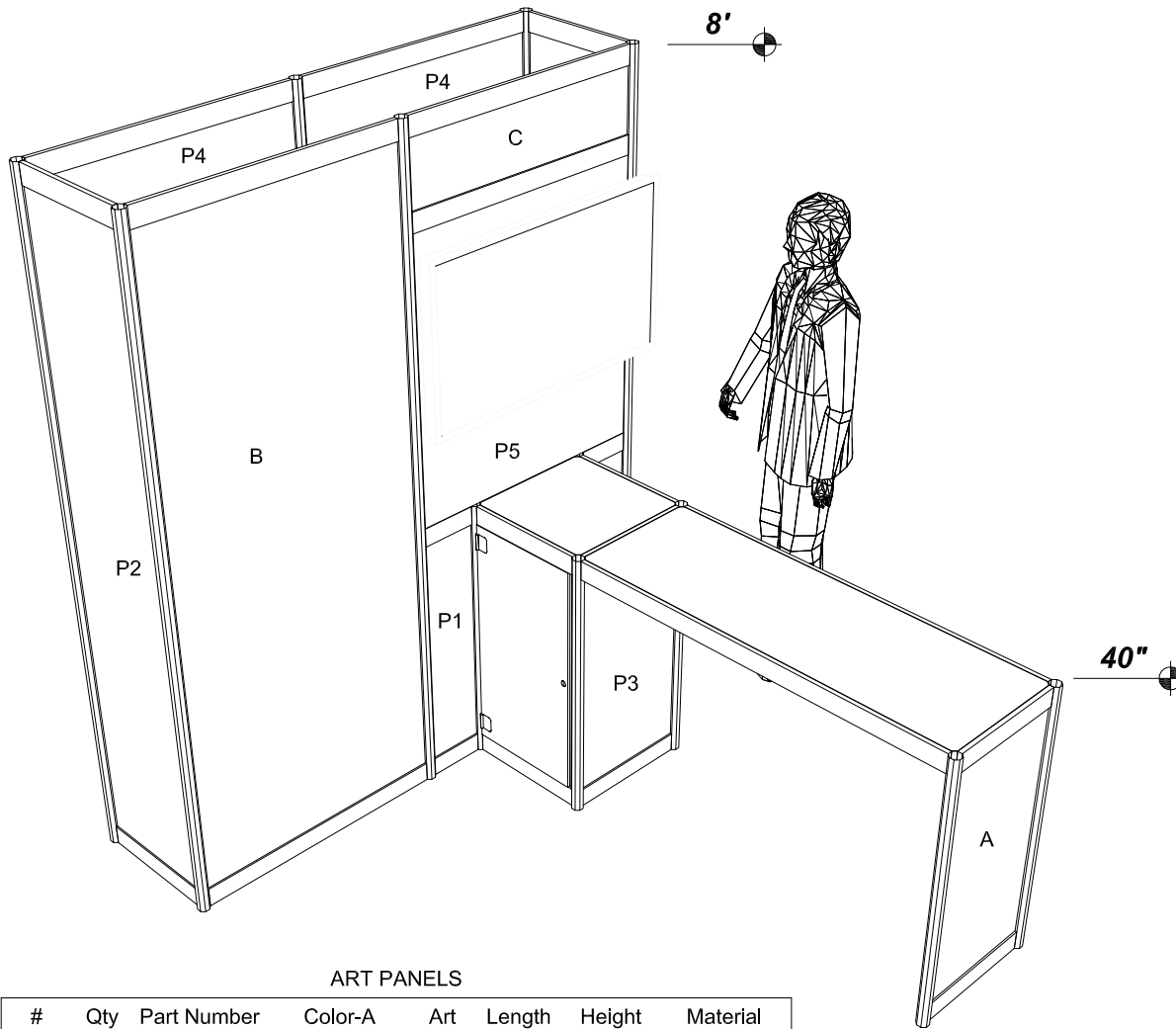


ISOMETRIC VIEW



ART PANELS

#	Qty	Part Number	Color-A	Art	Length	Height	Material
A	1	C-898	white	S	473	898	trovicel
B	1	E-2318	white	S	968	2318	trovicel
C	1	E-253	white	S	968	253	trovicel

PANELS

#	Qty	Part Number	Color-B	Length	Height	Material
P1	2	A-898	white	225	898	trovicel
P2	2	C-2318	white	473	2318	trovicel
P3	2	C-898	white	473	898	trovicel
P4	2	E-2318	white	968	2318	trovicel
P5	1	PNL_950-1045-13	white	950	1045	melamin-13



Drawing Name: A01_BEST15_Hardwall Booth

Show Name: Best Practices for Consumer Products

Show Code: G128171015

Date: 7/27/2015 Rev. Date: 7/27/2015

Designer: Steve Carr

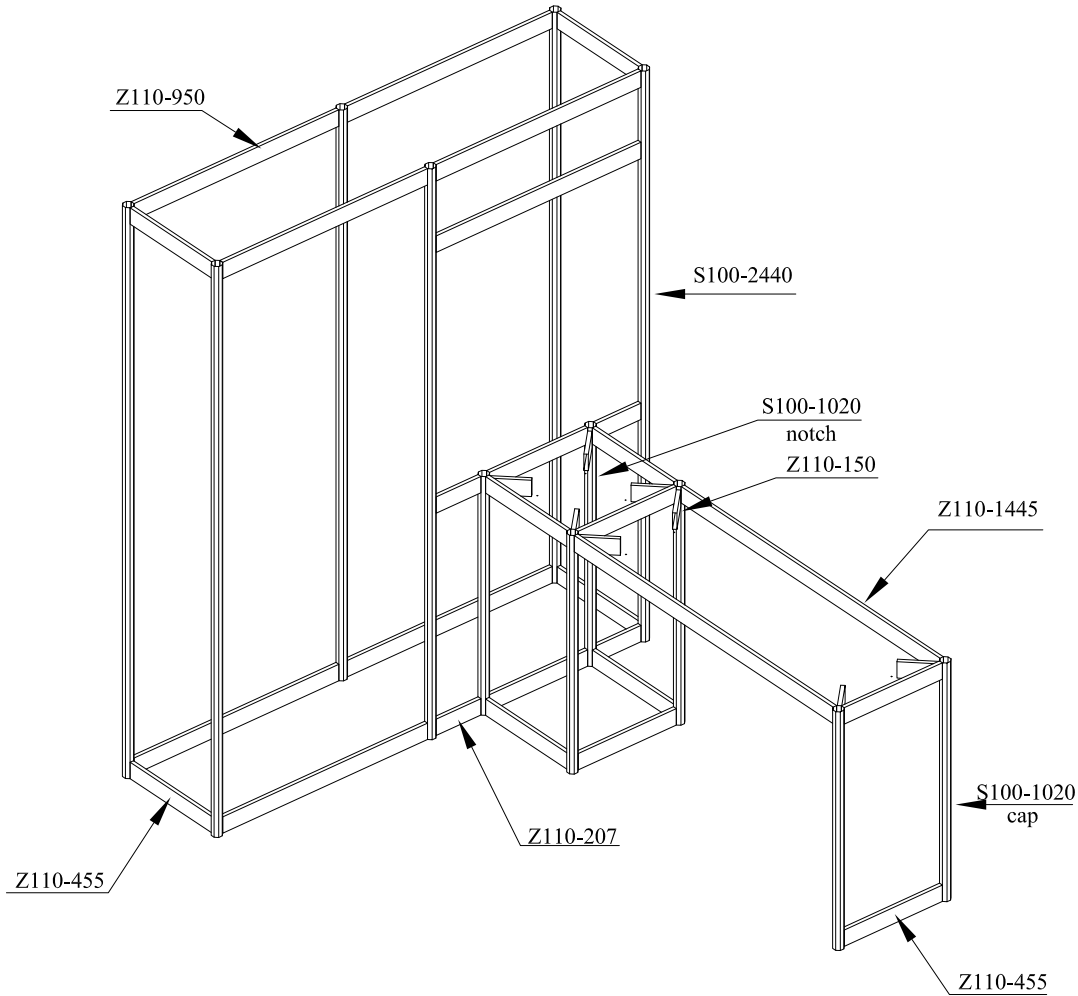
Account Exec: EB

Shepard Exposition Services

1531 Carroll Dr NW • Atlanta, GA 30318 • tel: 404.720.8600 • fax: 404.720. 8750

www.shepardes.com

METAL VIEW



METAL

#	Qty	Part Number	Color	Code	Note
M1	8	Z110-950	silver	X	
M2	14	Z110-455	silver	X	
M3	4	Z110-207	silver	X	
M4	8	Z110-150	silver	X	
M5	2	Z110-1445	silver	X	
M6	6	S100-2440	silver	U	
M7	2	S100-1020	silver	U	notch
M8	4	S100-1020	silver	U	cap



Drawing Name: A01_BEST15_Hardwall Booth

Show Name: Best Practices for Consumer Products

Show Code: G128171015

Date: 7/27/2015 Rev. Date: 7/27/2015

Designer: Steve Carr

Account Exec: EB

Shepard Exposition Services

1531 Carroll Dr NW • Atlanta, GA 30318 • tel: 404.720.8600 • fax: 404.720. 8750

www.shepardes.com